



**Count on it.**

**Parts Catalog**

**Commercial 21in**

**Lawn Mower**

**Model No. 22156—Serial No. 311000001 and Up**

# Ordering Replacement Parts

To order replacement parts, please supply the part number, the quantity, and the description of each part desired.

## Understanding Reference Numbers

Each identified part in an illustration has a reference number. The reference number for a part also appears in the parts list, along with other information about the part.

This catalog uses two special reference number formats, one to indicate parts in a service assembly and another to indicate the quantity of a given part in an illustration.

## Service Assembly Reference Numbers

Parts in service assemblies have reference numbers in the form a:b. The a represents the reference number of the entire service assembly and the b represents a sequential number unique to each part within the service assembly.

For example, a wheel assembly might be identified by reference number 6, the tire by 6:1, the valve by 6:2, and the wheel by 6:3. When you order the assembly identified by reference number 6, you receive all parts identified by reference numbers 6:1, 6:2, and 6:3. However, you may also order any part individually. Reference numbers of this type appear in illustration and in parts lists.

## Reference Numbers Indicating Quantity

In an illustration, if a reference number indicates more than one part, the reference number has the form nX y. The n represents the quantity of the part, the X is the multiplication symbol, and the y represents the reference number.

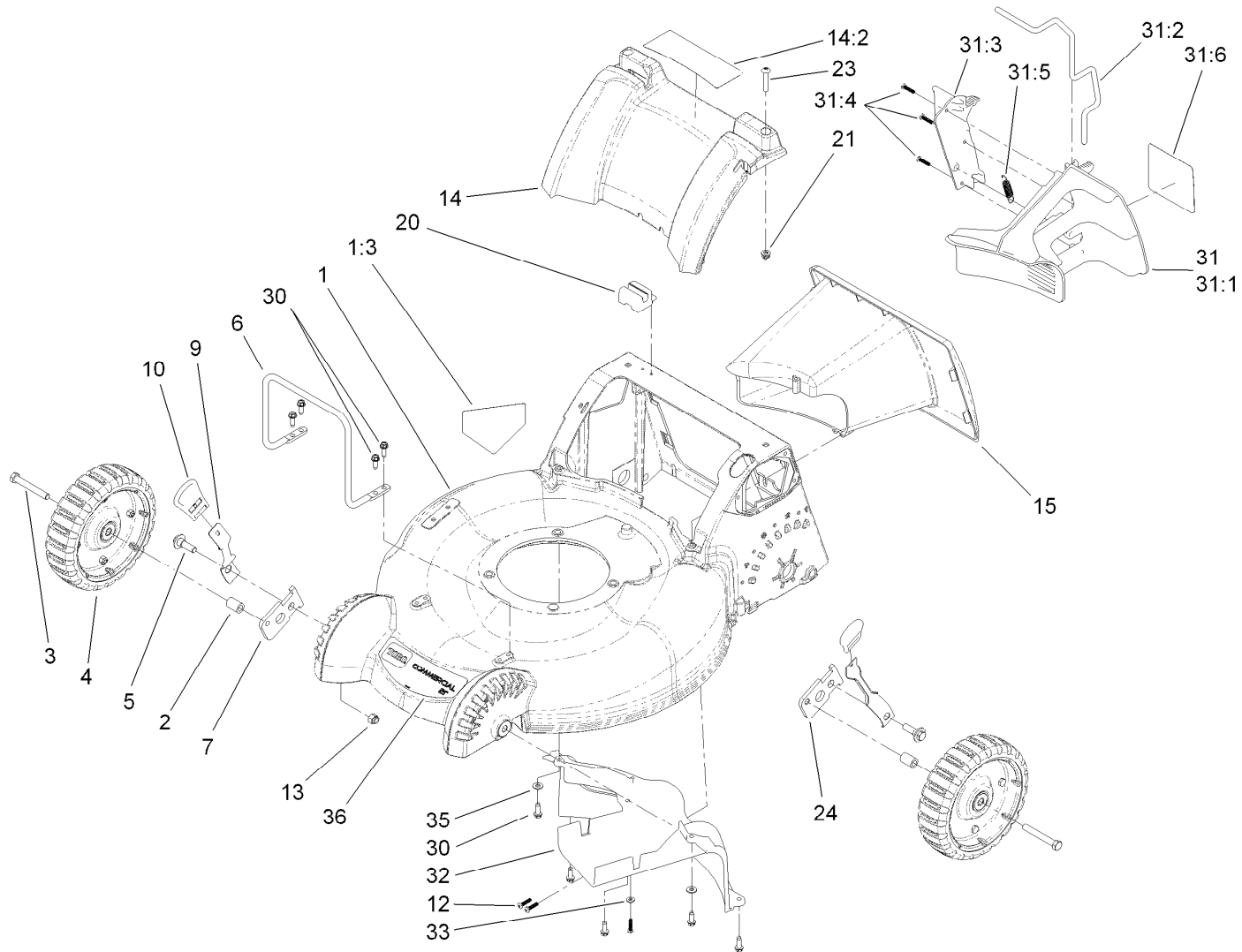
For example, in an illustration, the reference number 2X 37 means that two of the parts identified by reference number 37 are indicated.

# List of Abbreviations

<b>AR:</b> as required	<b>HSBH:</b> hex socket button head	<b>SFH:</b> slotted fillister head
<b>ASM:</b> assembly	<b>HSFH:</b> hex socket flat head	<b>SHH:</b> slotted hex head
<b>BBC:</b> blade brake control	<b>HSH:</b> hex socket head	<b>SHWH:</b> slotted hex washer head
<b>BHTF:</b> button head thread forming	<b>HWH:</b> hex washer head	<b>SPH:</b> slotted pan head
<b>CARR:</b> carriage	<b>HWHTF:</b> hex washer head thread forming	<b>SQH:</b> square head
<b>CCW:</b> counter clockwise	<b>HYD:</b> hydraulic	<b>SRH:</b> slotted round head
<b>CW:</b> clockwise	<b>LH:</b> left hand	<b>STD:</b> standard
<b>DEG:</b> degrees	<b>LP:</b> Liquid Propane	<b>TAP:</b> self tapping
<b>ECM:</b> electronic control module	<b>NI:</b> nylon insert	<b>TTH:</b> torx truss head
<b>EXT:</b> external	<b>NPTF:</b> national pipe thread fine	
<b>FH:</b> flat head	<b>PFH:</b> phillips flat head	
<b>GA:</b> gauge	<b>PPH:</b> phillips pan head	
<b>HD:</b> heavy-duty	<b>PPHTF:</b> phillips pan head thread forming	
<b>HF:</b> hex flange	<b>PRH:</b> phillips round head	
<b>HH:</b> hex head	<b>PTH:</b> phillips truss head	
<b>HHF:</b> hex head flange	<b>PTO:</b> power-take-off	
<b>HHFTF:</b> hex head flange thread forming	<b>RH:</b> right hand	
<b>HJ:</b> hex jam	<b>ROPS:</b> roll-over protection system	
<b>HLH:</b> hex lag head	<b>RRB:</b> rear roller brush	
<b>HOC:</b> height-of-cut		

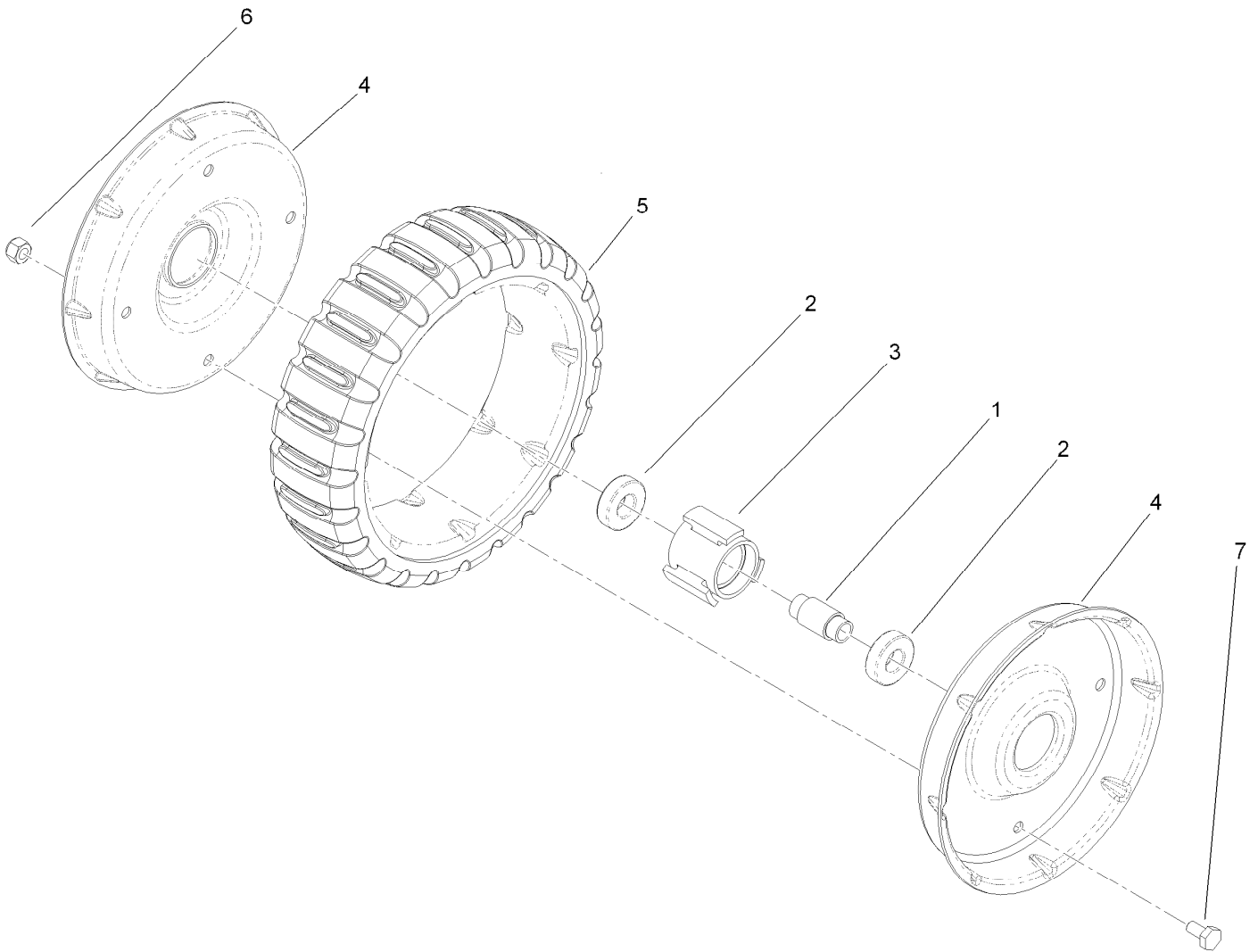
# Contents

Front End and Tunnel Assembly .....	4
Wheel Assembly No. 117-5252 .....	5
Discharge Door and Rear Wheel Assembly .....	6
Wheel Assembly No. 117-5253 .....	7
Engine and Blade Assembly .....	8
Handle Assembly .....	9
Rear Bag Assembly .....	10



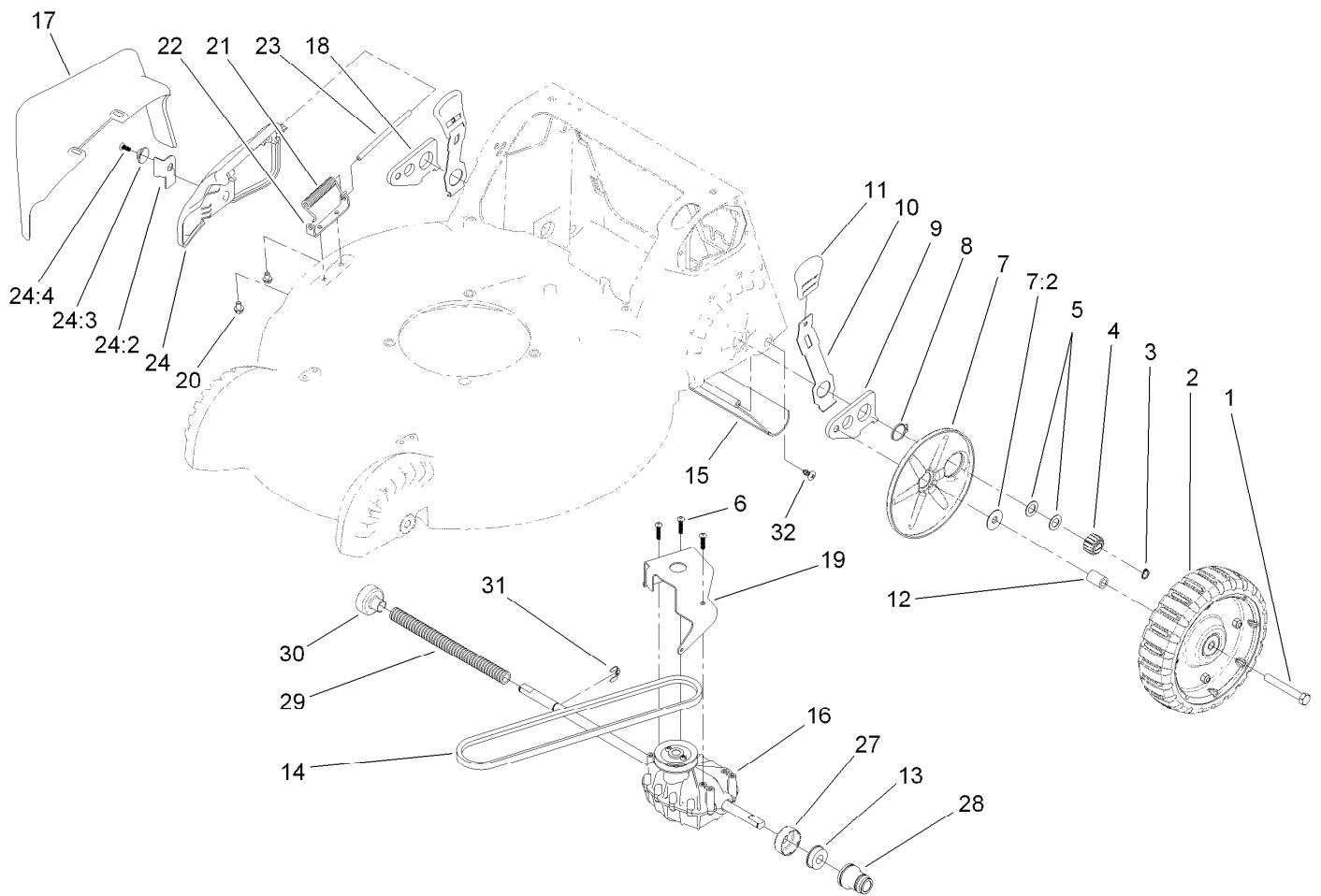
## Front End and Tunnel Assembly

Ref.	Part Number	Qty.	Description	Ref.	Part Number	Qty.	Description
1	117-5266	1	Housing Assembly	21	94-1610	2	Nut-Clip
1:3	94-8072	1	Decal-Danger	23	108-0965	2	Screw-PTH
2	114-2754	2	Spacer	24	110-9420	1	Arm-Pivot, LH
3	323-13	2	Screw-HH	30	49-2040	9	Screw-HWHTF
4	117-5252	2	8-Inch Wheel ASM	31	110-9468	1	Mulch Plug ASM
5	614672	2	Bolt-Shoulder	31:1	110-9446	1	Plug-Mulch, LH
6	110-9475-03	1	Guard-Engine	31:2	110-9448	1	Latch-Plug, Mulch
7	110-9421	1	Arm-Pivot, RH	31:3	110-9447	1	Plug-Mulch, RH
9	110-9434	2	Arm-Spring, Front	31:4	108-7476	3	Screw-Plastite
10	110-0549	2	Knob-HOC	31:5	110-9458	1	Spring-Extension
12	108-7476	6	Screw-Plastite	31:6	110-9457	1	Decal-Plug, Mulch
13	3296-39	2	Nut-Lock, NI	32	110-9413	1	Baffle-Rear
14	115-3177	1	Cover-Rear	33	3256-14	1	Washer-Flat
14:2	114-2820	1	Decal-Warning	35	3256-22	2	Washer-Flat
15	110-9455	1	Tunnel	36	117-5247	1	Decal-Housing, Front
20	110-1786	1	Module-Switch				



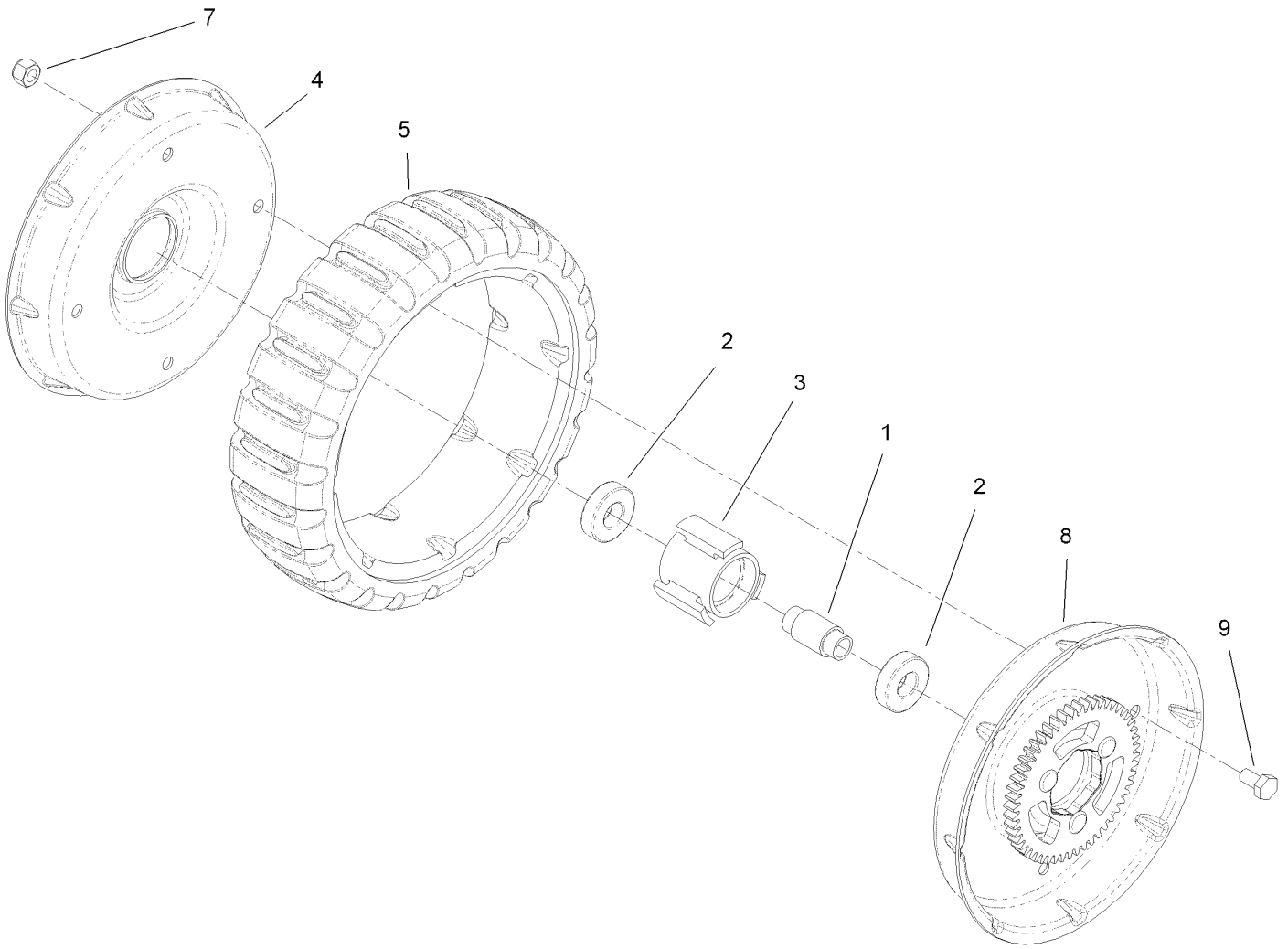
## Wheel Assembly No. 117-5252

<i>Ref.</i>	<i>Part Number</i>	<i>Qty.</i>	<i>Description</i>
1	52-2440	1	Spacer-Bearing
2	52-2450	2	Bearing-Wheel
3	52-2410	1	Hub-Bearing
4	117-5250	2	Wheel-Half
5	110-9499	1	Tire-8 Inch
6	3296-42	4	Nut-Lock, NI
7	321-2	4	Screw-HH



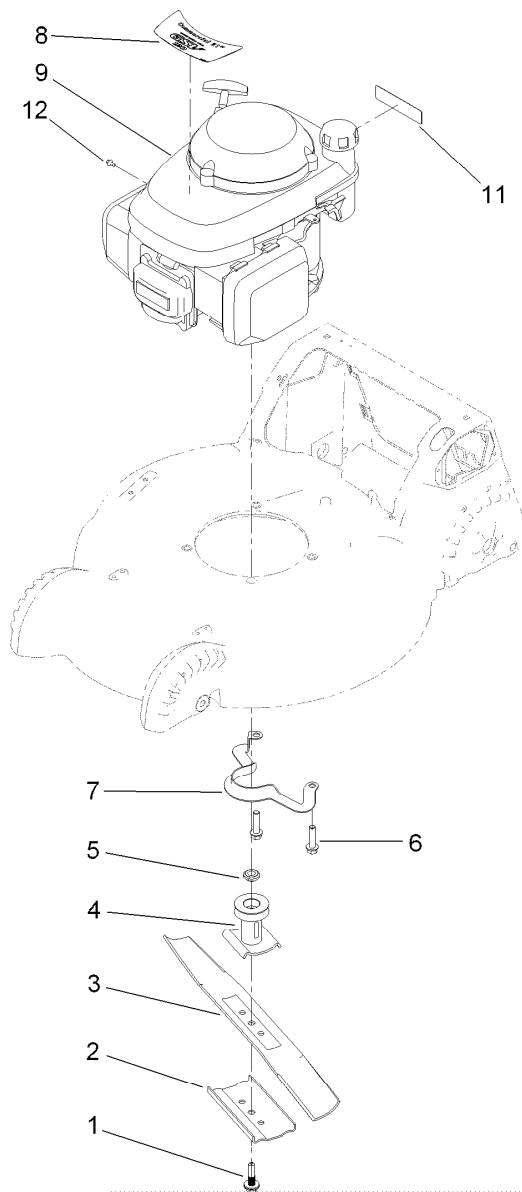
## Discharge Door and Rear Wheel Assembly

<i>Ref.</i>	<i>Part Number</i>	<i>Qty.</i>	<i>Description</i>	<i>Ref.</i>	<i>Part Number</i>	<i>Qty.</i>	<i>Description</i>
1	323-13	2	Screw-HH	17	105-3028	1	Chute-Discharge, Side
2	117-5253	2	8-Inch Wheel ASM	18	108-9343	1	Arm-Rear Pivot, RH
3	32151-61	2	Ring-Retaining	19	114-7977-03	1	Bracket-Transmission
4	110-9417	2	Gear-Pinion, 15T	20	99-8445	2	Screw-HWH
5	36-4780	2	Washer-Plain	21	99-5293	1	Spring-Torsion
6	108-7476	3	Screw-Plastite	22	112-6416	1	Bracket-Cover
7	110-1792	2	Wheel Cover ASM	23	99-5291	1	Rod-Cover
7:2	614426	1	Washer-Stepped	24	106-8376	1	Discharge Door ASM
8	32151-36	2	Ring-Retaining	24:2	107-0795	1	Latch-Door
9	108-9344	1	Arm-Rear Pivot, LH	24:3	107-7456	1	Cap-Door
10	110-9445	2	Arm-Spring, Rear	24:4	107-7461	1	Screw-Plastite
11	110-0549	2	Knob-HOC	27	117-5268	1	Cover-Bearing
12	114-2754	2	Spacer	28	110-9422	2	Retainer-Bearing
13	104-8699	2	Bearing-Ball	29	117-5260	1	Cover-Shaft, Drive
14	110-9429	1	V-Belt	30	114-2755	1	Cap-Bearing
15	112-8768	1	Shield-Trailing	31	65-2720	1	Ring-Clip, Locking
16	114-2819	1	Transmission	32	117-1092	2	Screw-PTH



## Wheel Assembly No. 117-5253

<i>Ref.</i>	<i>Part Number</i>	<i>Qty.</i>	<i>Description</i>
1	52-2440	1	Spacer-Bearing
2	52-2450	2	Bearing-Wheel
3	52-2410	1	Hub-Bearing
4	117-5250	1	Wheel-Half
5	110-9499	1	Tire-8 Inch
7	3296-42	4	Nut-Lock, NI
8	117-5251	1	Hub Gear ASM
9	321-2	4	Screw-HH



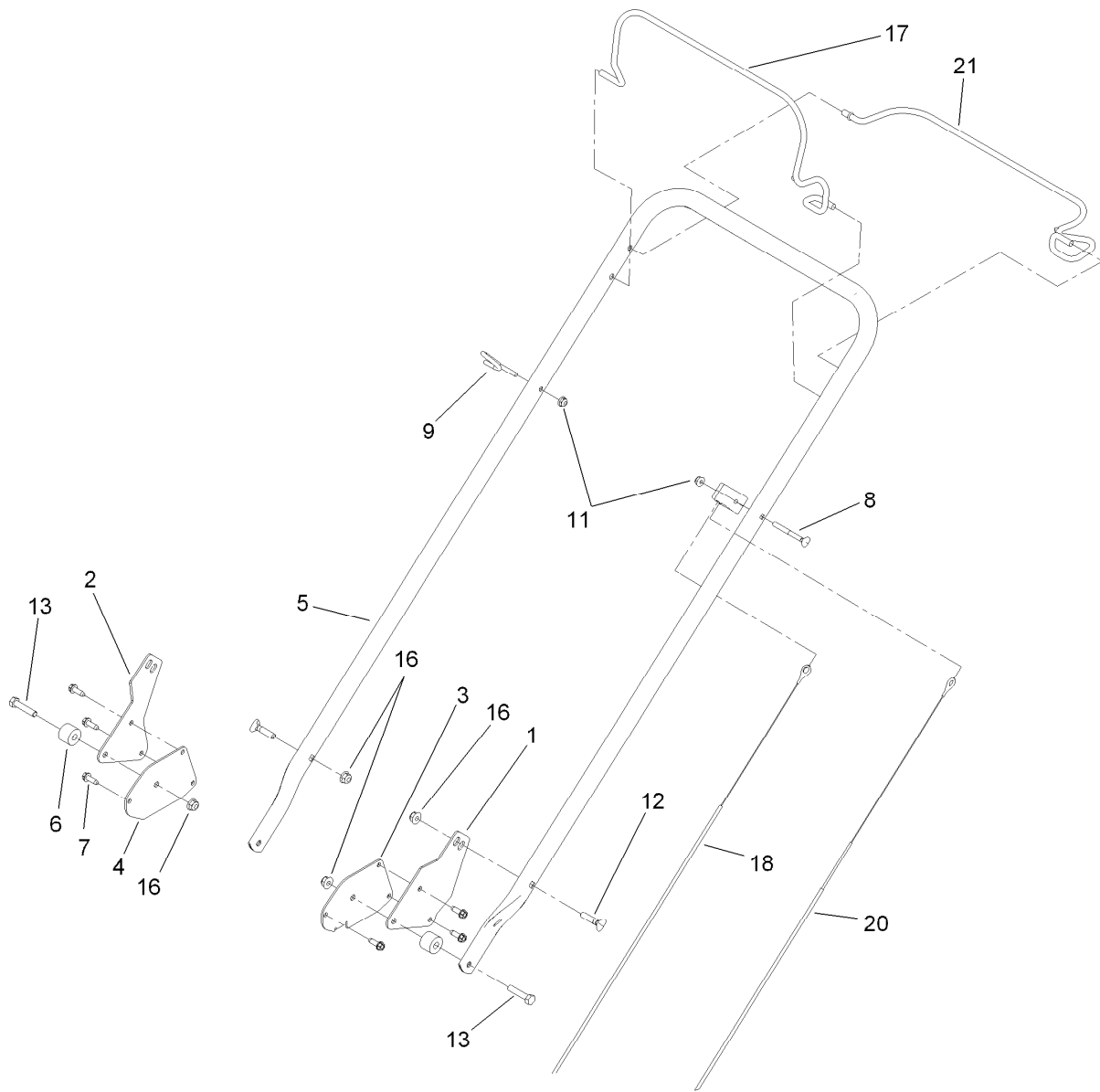
## Engine and Blade Assembly

Ref.	Part Number	Qty.	Description
1	117-5270	1	Bolt-Blade
2	108-3766-03	1	Support-Blade
3	108-3759-03	1	Blade-Bagging
4	114-2774	1	Driver-Blade
5	106-3999	1	Spacer-Driver
6	32144-102	3	Screw-HWH
7	108-8110-03	1	Guide-Belt
8	117-5245	1	Decal-Engine
9		1	Engine-Honda, Gsv190 ●■
11	117-2718	1	Decal-Arrester, Spark
12	98-1394	1	Screw-HWH

● Not serviced separately

■ Obtain parts from [www.honda-engines.com](http://www.honda-engines.com)

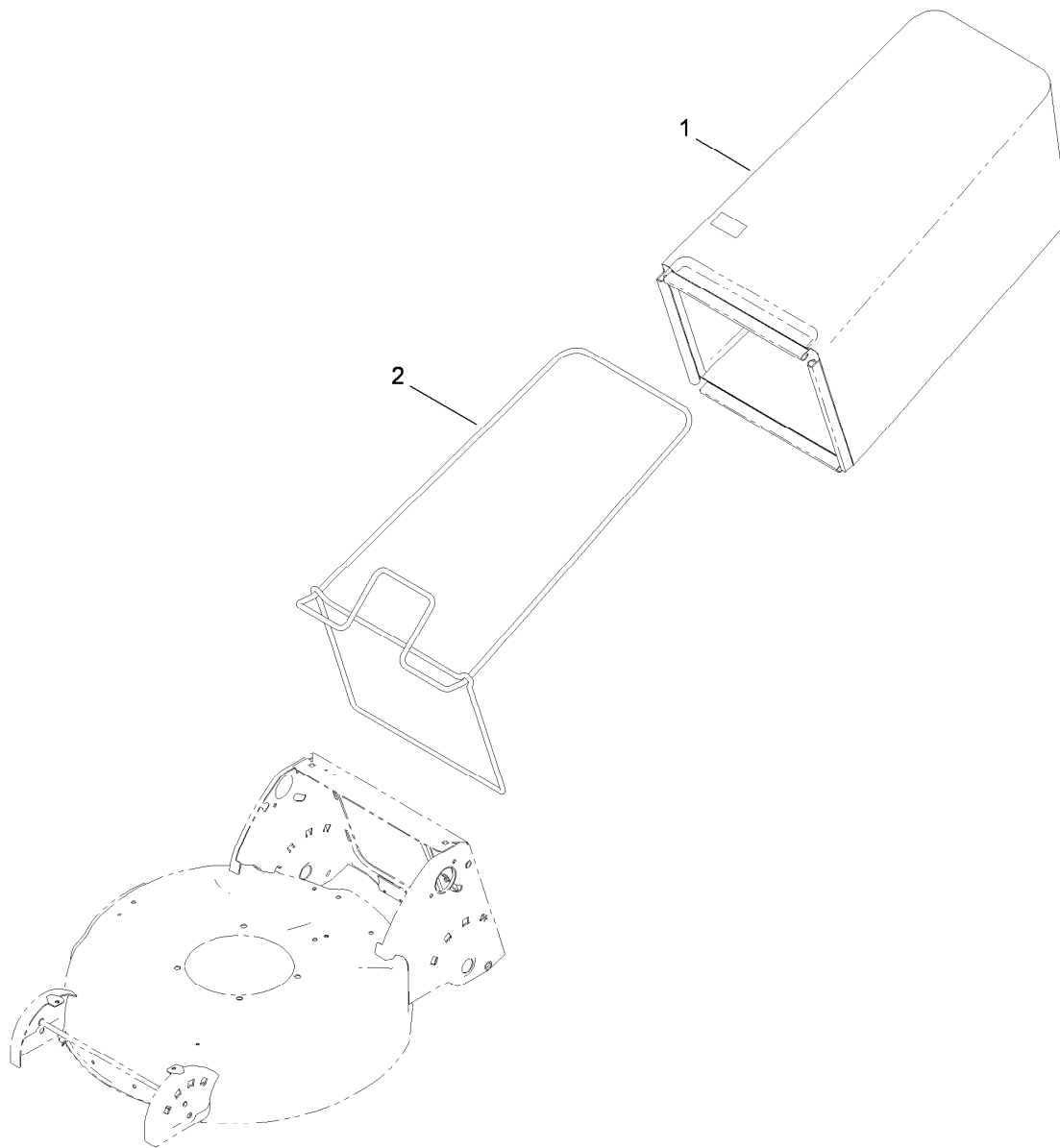




## Handle Assembly

Ref.	Part Number	Qty.	Description
1	110-9494-03	1	Support-Strut, LH
2	110-9495-03	1	Support-Strut, RH
3	114-2760-03	1	Plate-Handle, Traction
4	110-9471-03	1	Plate-Handle
5	119-2372-03	1	Handle
6	112-8797-03	2	Spacer
7	49-2040	6	Screw-HWHTF
8	92-2270	1	Screw-Handle
9	114-2775	1	Guide-Rope

Ref.	Part Number	Qty.	Description
11	104-7201	2	Nut-HF
12	92-4095	2	Screw-Handle
13	322-7	2	Screw-HH
16	104-8300	4	Nut-Flange, NI
17	119-2388-03	1	Bail-Brake
18	119-2352	1	Cable-Brake
20	119-2353	1	Cable-Traction
21	119-2387-03	1	Bail-Traction



## Rear Bag Assembly

<i>Ref.</i>	<i>Part Number</i>	<i>Qty.</i>	<i>Description</i>
1	117-4191	1	Grass Bag ASM
2	112-8750-03	1	Frame-Bag

**Notes:**



**Count on it.**