



Count on it.

Parts Catalog

**66cm Heavy-Duty Rear Bagger
Lawn Mower**

Model No. 22203TE—Serial No. 312000001 and Up



Ordering Replacement Parts

To order replacement parts, please supply the part number, the quantity, and the description of each part desired.

Understanding Reference Numbers

Each identified part in an illustration has a reference number. The reference number for a part also appears in the parts list, along with other information about the part.

This catalog uses two special reference number formats, one to indicate parts in a service assembly and another to indicate the quantity of a given part in an illustration.

Service Assembly Reference Numbers

Parts in service assemblies have reference numbers in the form a:b. The a represents the reference number of the entire service assembly and the b represents a sequential number unique to each part within the service assembly.

For example, a wheel assembly might be identified by reference number 6, the tire by 6:1, the valve by 6:2, and the wheel by 6:3. When you order the assembly identified by reference number 6, you receive all parts identified by reference numbers 6:1, 6:2, and 6:3. However, you may also order any part individually. Reference numbers of this type appear in illustration and in parts lists.

Reference Numbers Indicating Quantity

In an illustration, if a reference number indicates more than one part, the reference number has the form nX y. The n represents the quantity of the part, the X is the multiplication symbol, and the y represents the reference number.

For example, in an illustration, the reference number 2X 37 means that two of the parts identified by reference number 37 are indicated.

List of Abbreviations

AR: as required

ASM: assembly

BBC: blade brake control

BHTF: button head thread forming

CARR: carriage

CCW: counter clockwise

CW: clockwise

DEG: degrees

DPA: Dual Point Adjustment

ECM: electronic control module

EXT: external

FH: flat head

GA: gauge

HD: heavy-duty

HF: hex flange

HH: hex head

HHF: hex head flange

HHFTF: hex head flange thread forming

HJ: hex jam

HLH: hex lag head

HOC: height-of-cut

HSBH: hex socket button head

HSFH: hex socket flat head

HSH: hex socket head

HWH: hex washer head

HWTF: hex washer head thread forming

HYD: hydraulic

LH: left hand

LPG: Liquid Propane Gas

NI: nylon insert

NPTF: national pipe thread fine

PFH: phillips flat head

PPH: phillips pan head

PPHTF: phillips pan head thread forming

PRH: phillips round head

PTH: phillips truss head

PTO: power-take-off

RH: right hand

ROPS: roll-over protection system

RRB: rear roller brush

SFH: slotted fillister head

SHH: slotted hex head

SHWH: slotted hex washer head

SPH: slotted pan head

SQH: square head

SRH: slotted round head

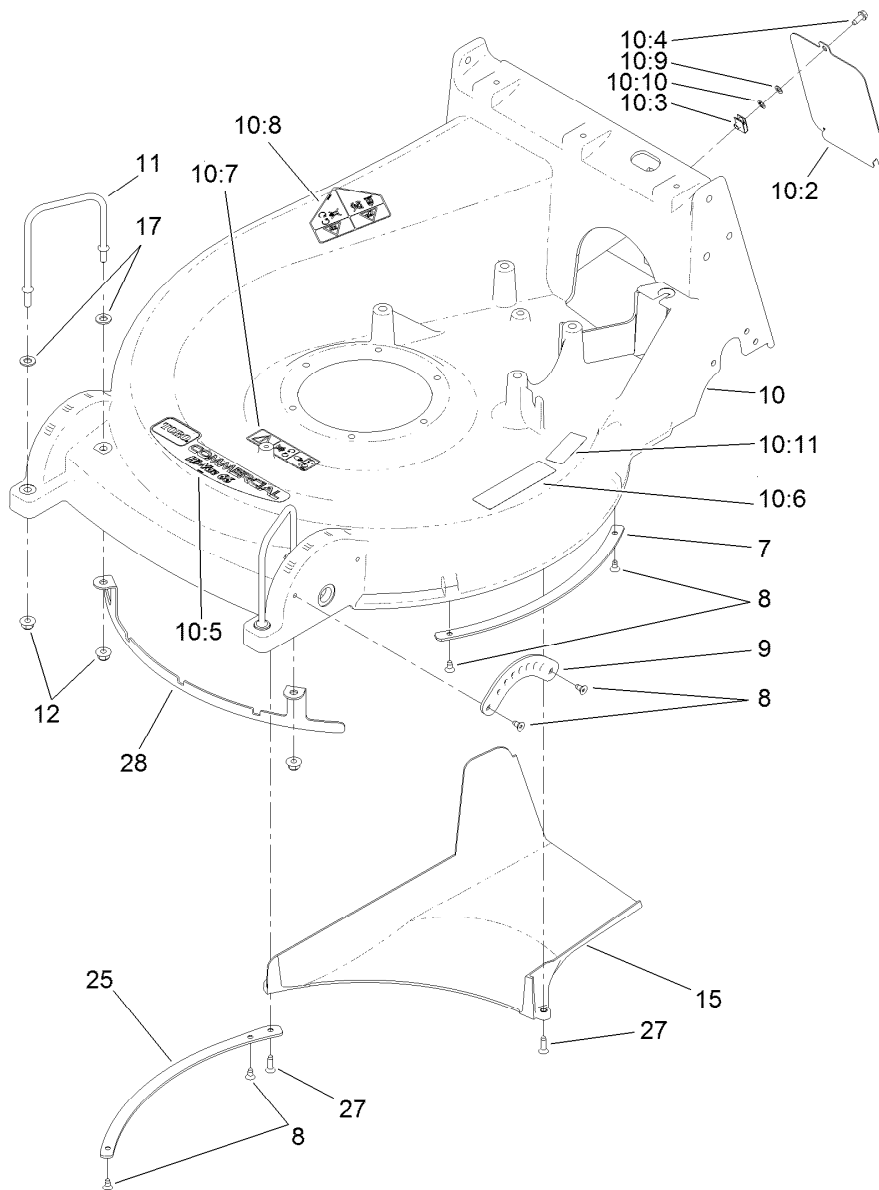
STD: standard

TAP: self tapping

TTH: torx truss head

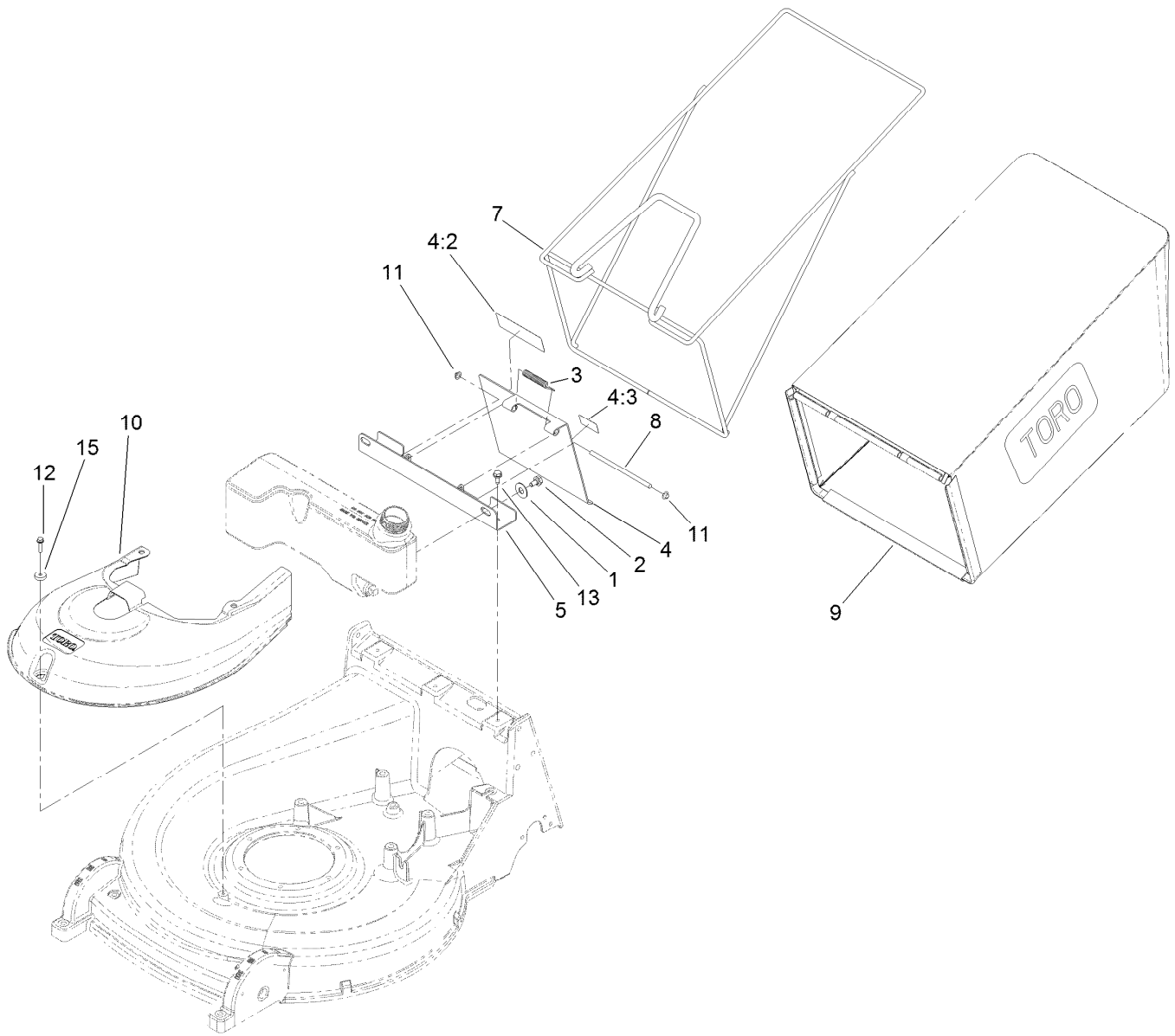
Contents

Deck and Chute Assembly	4
Bag and Door Assembly	5
Handle Assembly	6
Gear Case and Pinion Assembly	7
Gear Case Assembly No. 116-0786	8
Engine and Fuel Tank Assembly	10
Blade Drive Assembly	11
Cutter Housing Assembly No. 107-4065	12
Rear Wheel Assembly	13
Wheel Assembly No. 112-8707	14
Front Wheel Assembly	15
Attachments and Accessories	16



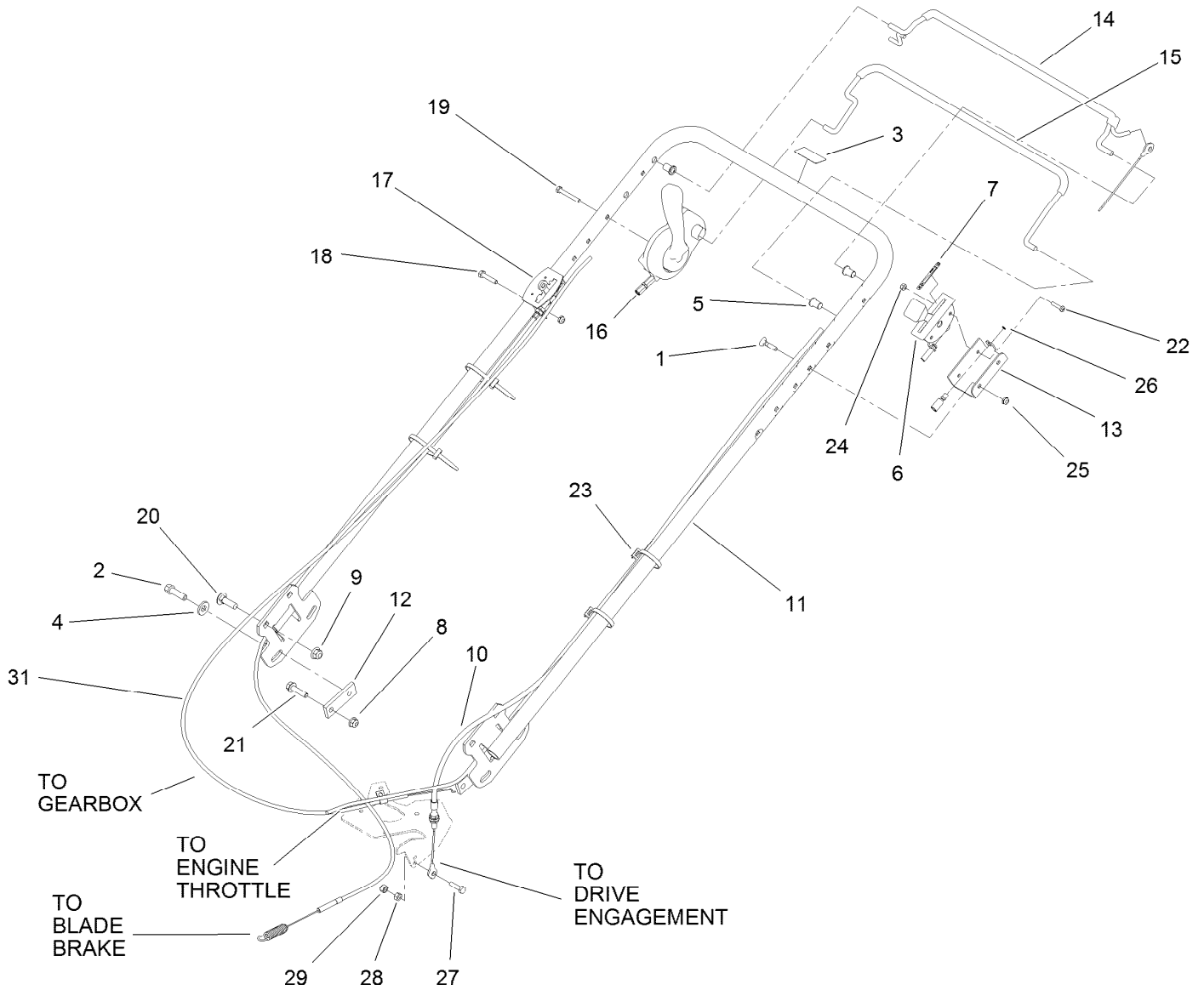
Deck and Chute Assembly

Ref.	Part Number	Qty.	Description	Ref.	Part Number	Qty.	Description
7	116-0059-03	1	Plate-Skid, 10 Gage	10:9	3256-60	1	Washer-Flat
8	103-6145	8	Screw	10:10	106-8737	1	Nut-Retainer
9	103-6460	2	Quadrant-Front	10:11	121-1449	1	Decal, Block Warning
10	115-4240	1	Deck ASM	11	116-6944	2	Handle-Deck
10:2	116-0336	1	Cover-Access, Axle	12	104-8301	4	Nut-Flange, NI
10:3	107069	1	Clip	15	116-1405	1	Plastic Chute Kit (W/Screws)
10:4	32144-10	1	Screw-HWH	17	3256-24	4	Washer-Flat
10:5	112-8709	1	Decal	25	116-1273-03	1	Plate-Skid
10:6	110-4978	1	Decal-Danger	27	116-0606	2	Screw-Torx
10:7	112-9028	1	Decal-Cover Missing	28	116-6862-01	1	Guard-Front Blade
10:8	112-8760	1	Decal-Danger				



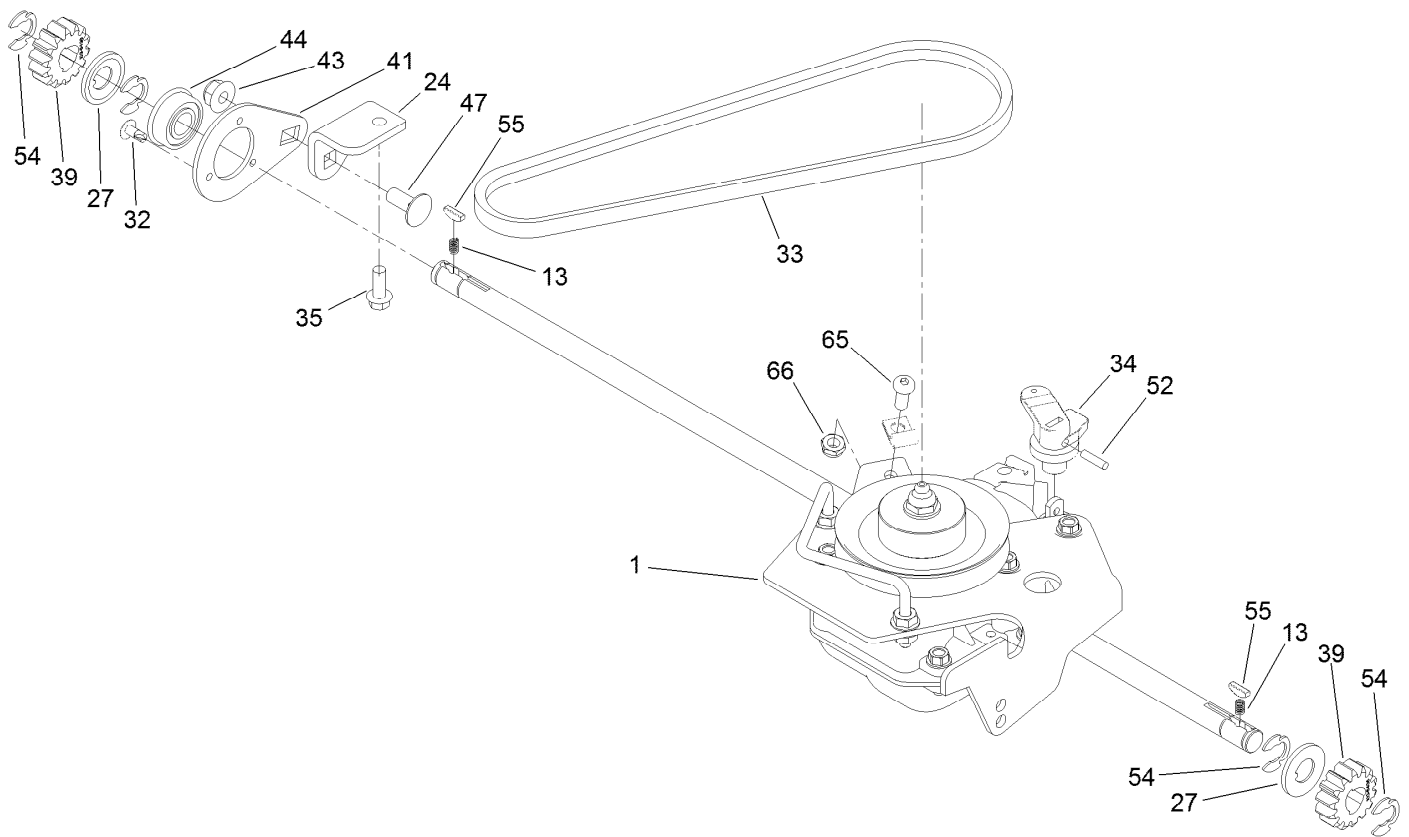
Bag and Door Assembly

Ref.	Part Number	Qty.	Description
1	28-2450	2	Washer-Plastic
2	37-8771	2	Bolt-Shoulder
3	99-5293	1	Spring-Torsion
4	112-9741	1	Door ASM
4:2	110-4977	1	Decal-Danger
4:3	115-4207	1	Decal-Grease
5	103-8223-03	1	Bracket-Mount, Bag/Door
7	109-2445-03	1	Frame-Bag
8	109-2453	1	Rod-Pivot, Door
9	110-5029	1	Grass Bag ASM
10	114-3413	1	Cover-Spindle
11	32112-11	2	Nut-Push
12	32144-86	1	Screw-HWHTF
13	32144-70	3	Screw-HWHTF
15	1-323417	1	Washer



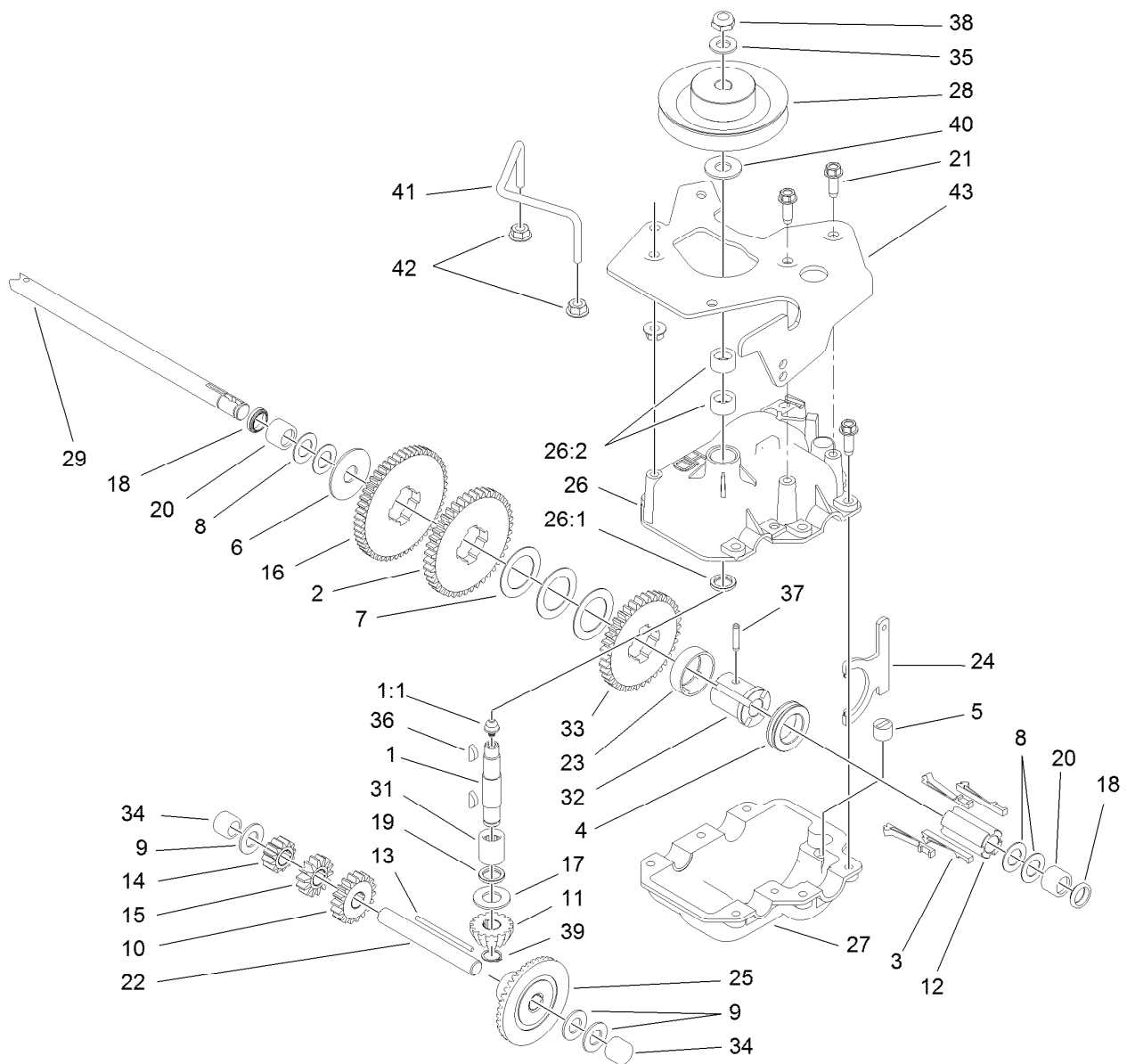
Handle Assembly

Ref.	Part Number	Qty.	Description	Ref.	Part Number	Qty.	Description
1	109-8144	2	Bolt-Handle	16	116-1079	1	Control-BBC
2	95-1727	2	Screw-Taptite	17	116-0504	1	Control-Shift
3	98-4387	1	Decal-Protection, Ear	18	321-8	2	Screw-HH
4	98-5975	2	Washer-Belleville	19	33113-045	1	Screw-HH
5	109-2713	3	Bushing	20	3231-25	2	Screw-CARR
6	103-6123	1	Control-Throttle	21	3234-36	2	Screw-HHF
7	103-6328	1	Decal-Throttle / Choke	22	3250-27	2	Screw-PPH
8	104-8300	2	Nut-Flange, NI	23	3290-378	4	Tie-Cable
9	104-8301	2	Nut-Flange, NI	24	3296-2	2	Nut-Lock, NI
10	109-2212	1	Cable-Traction	25	3296-56	2	Nut-Lock, NI
11	109-2441-03	1	Handle	26	32151-86	1	E-Ring
12	109-2643-03	2	Nut-Handle	27	321-6	1	Screw-HH
13	109-2821-03	1	Bracket-Control	28	3217-5	1	Nut-Hex
14	116-0389	1	Traction Bail With Grip ASM	29	3296-42	1	Nut-Lock, NI
15	109-2826	1	Bail-BBC (With Grip)	31	109-4115	1	Cable-Shifter



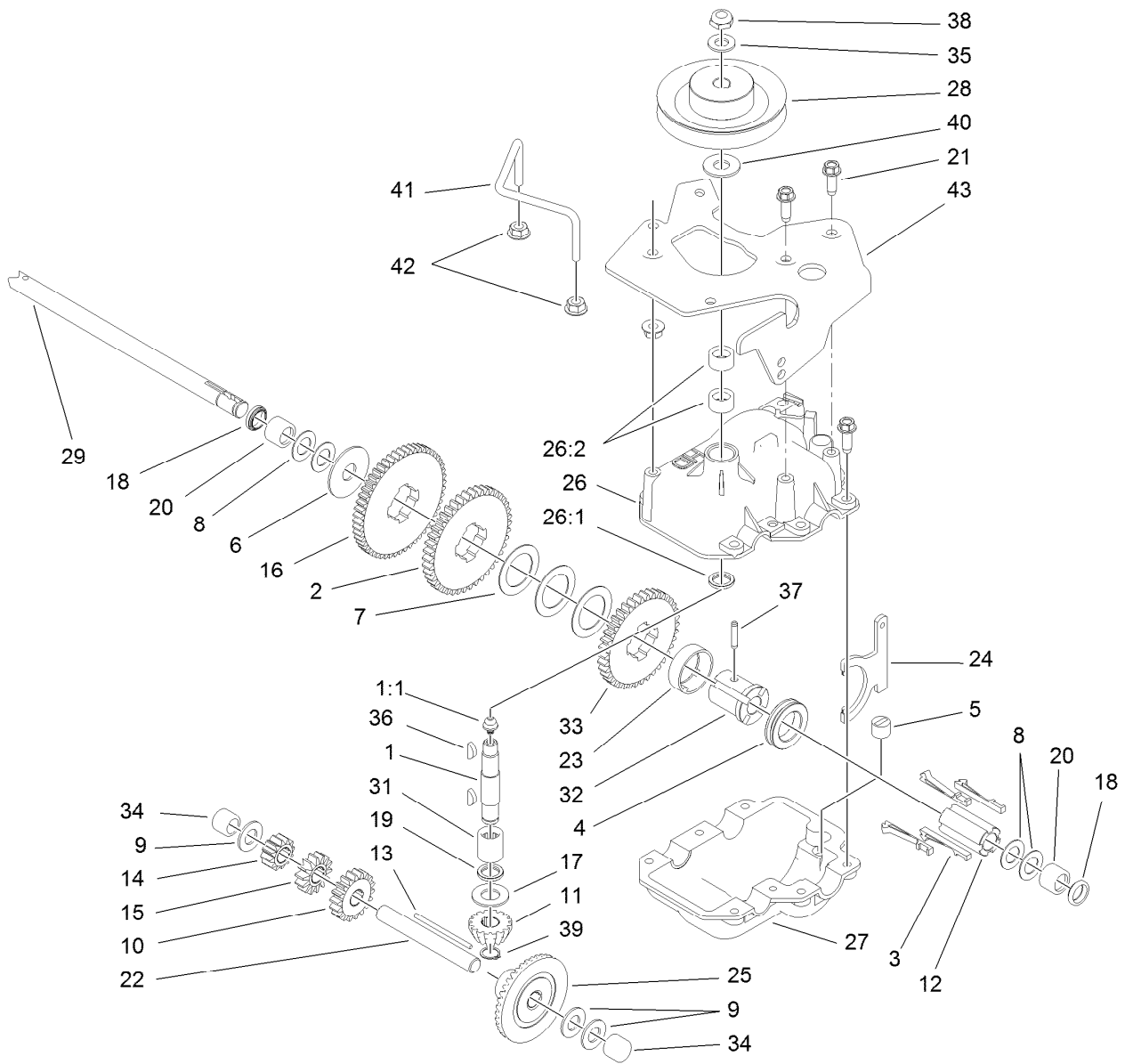
Gear Case and Pinion Assembly

<i>Ref.</i>	<i>Part Number</i>	<i>Qty.</i>	<i>Description</i>	<i>Ref.</i>	<i>Part Number</i>	<i>Qty.</i>	<i>Description</i>
1	116-0786	1	Gear Case ASM	41	109-6612	1	Plate-Bearing
13	39-9650	2	Spring-Compression	43	104-8300	1	Nut-Flange, NI
24	116-0222	1	Bracket-Bearing, Plated	44	251-180	1	Bearing-Ball
27	62-3830	2	Washer-Thrust, Outer	47	3230-23	1	Screw-CARR
32	92-9665	3	Screw-TAP	52	32121-99	1	Pin-Coil
33	103-6114	1	Belt-V, Traction	54	32151-68	4	Ring-Retaining
34	103-6138	1	Lever-Shift	55	612066	2	Key
35	32144-85	1	Screw-HWH	65	3274-31	1	Screw-HSBH
39	103-6436	2	Gear-Pinion	66	3296-56	1	Nut-Lock, NI



Gear Case Assembly No. 116-0786

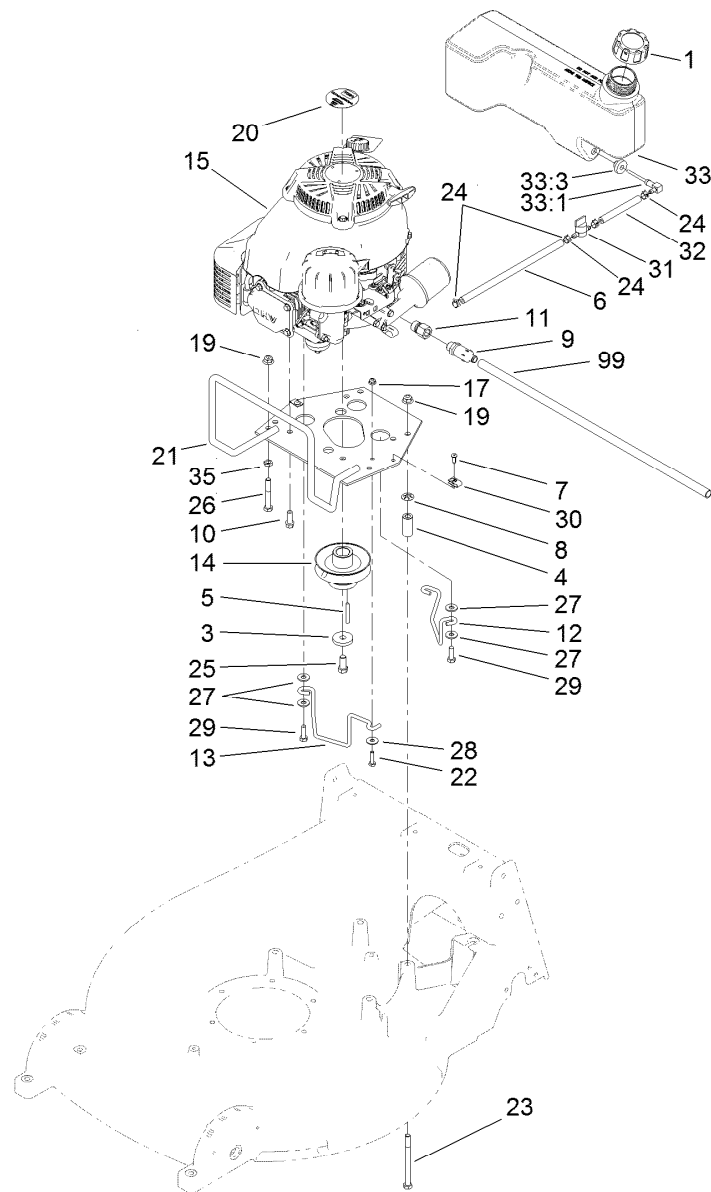
Ref.	Part Number	Qty.	Description	Ref.	Part Number	Qty.	Description
1	13-5149	1	Input Shaft ASM	20	117-3500	2	Bearing-Caged Needle Roller
1:1	302-63	1	Zerk	21	49-2040	9	Screw-HWHTF
2	29-9271	1	Gear-42T	22	53-7950	1	Shaft-Intermediate
3	29-9330	4	Key-Shift	23	55-8020	1	Retainer-Key
4	29-9340	1	Collar-Shift	24	60-8870	1	Yoke-Shift
5	29-9570	1	Bushing-Yoke	25	74-1760	1	Gear-Bevel
6	29-9690	1	Washer	26	13-9739	1	Upper Gearcase ASM
7	36-4770	3	Washer	26:1	47-7260	1	Seal
8	36-4780	4	Washer-Plain	26:2	47-7270	2	Bearing-Needle
9	36-4792	3	Washer-Thrust	27	119-7863	1	Gearcase-Lower
10	39-6650	1	Gear-18T	28	103-6429	1	Sheave
11	39-6660	1	Pinion-Bevel	29	103-6435	1	Shaft-Axle
12	39-6720	1	Sleeve	31	103-9773	1	Bearing-Roller, Caged
13	39-7842	1	Key	32	109-2642	1	Sleeve-4 Dog
14	46-3540	1	Gear-12T	33	109-3130	1	Gear-38T
15	46-3550	1	Gear-14T	34	252-103	2	Bearing-Needle, Closed
16	46-3560	1	Gear	35	3256-45	1	Washer-Flat
17	47-2910	1	Washer-Thrust	36	3257-1	2	Key-Woodruff
18	47-6730	2	Seal-Oil	37	3285-19	1	Pin-Groove
19	47-7260	1	Seal	38	3296-5	1	Nut-Lock



Gear Case Assembly No. 116-0786 (continued)

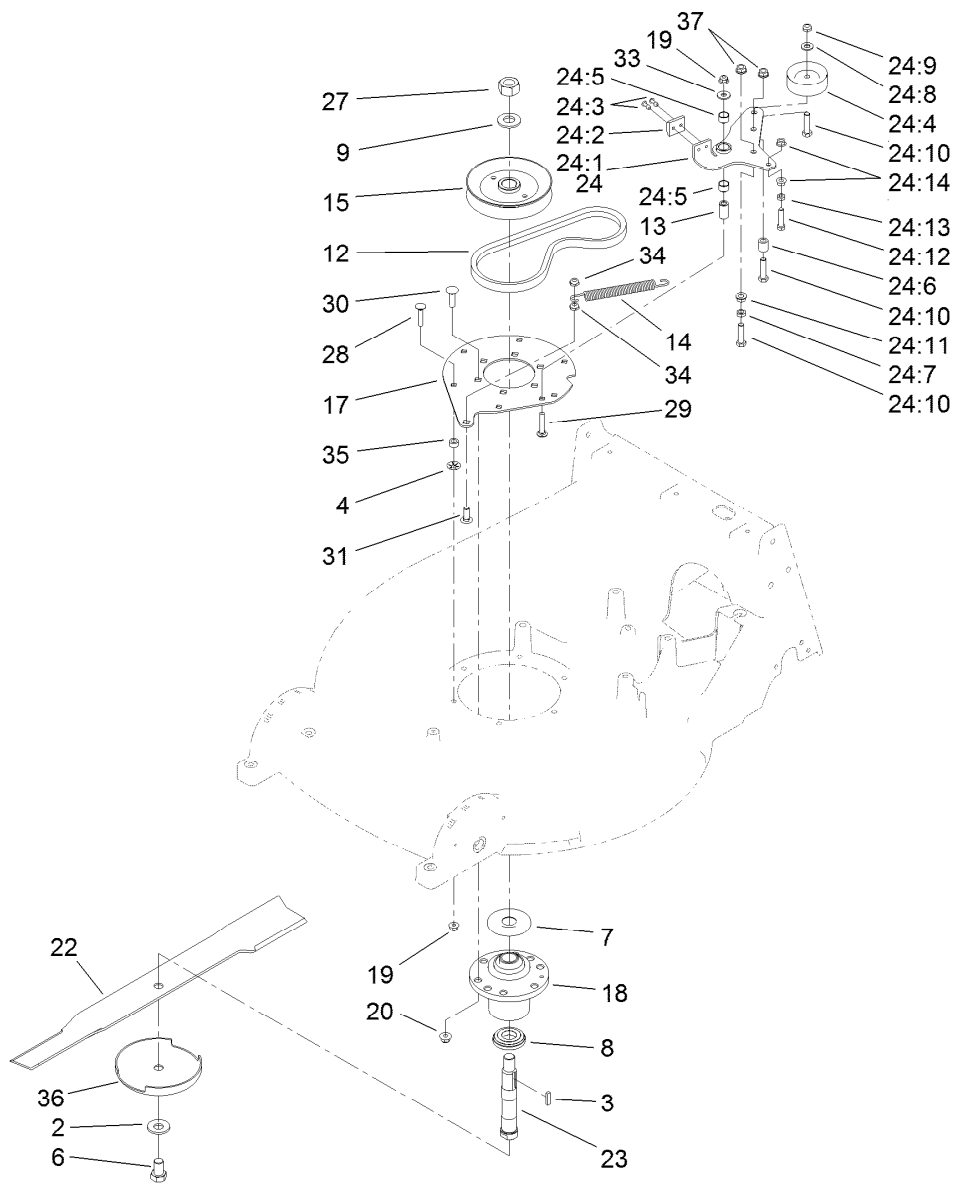
<i>Ref.</i>	<i>Part Number</i>	<i>Qty.</i>	<i>Description</i>
39	32151-57	1	Ring-Retaining
40	109-3614	1	Washer
41	103-8224	1	Guide-Belt

<i>Ref.</i>	<i>Part Number</i>	<i>Qty.</i>	<i>Description</i>
42	32128-33	4	Nut-HF
43	116-0339-03	1	Bracket-Guide, Belt



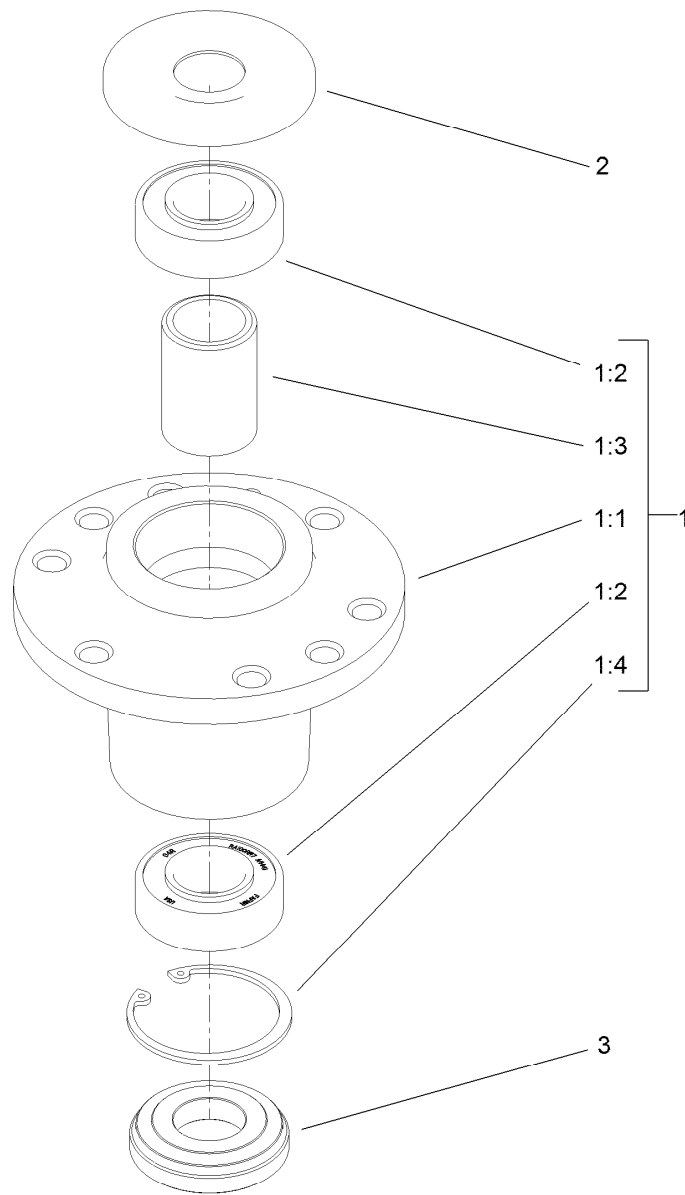
Engine and Fuel Tank Assembly

Ref.	Part Number	Qty.	Description	Ref.	Part Number	Qty.	Description
1	93-7198	1	Gas Cap ASM	21	116-0972-03	1	Plate-Engine
3	1-543610	1	Washer-Clutch	22	321-6	1	Screw-HH
4	116-1182	4	Spacer	23	323-23	4	Screw-HH
5	7-0036	1	Key-Square	24	2412-98	4	Clamp-Hose
6	109-0294	1	Hose-Fuel	25	3212-4	1	Screw-HH
7	63-8590	2	Screw	26	323-12	1	Screw-HH
8	78-7170	4	Ring-Retaining	27	3256-3	6	Washer-Flat
9	92-6877	1	Valve-Drain, Oil	28	3290-456	1	Washer-Belleville
10	95-1726	4	Screw-Taptite	29	33114-025	3	Screw-HH
11	103-1966	1	Adapter	30	107069	2	Clip
12	116-0860	1	Guide-Belt, Rear	31	1-603770	1	Valve-Fuel
13	116-0859	1	Guide-Belt, Front	32	109-0295	1	Hose-Fuel
14	116-0822	1	Sheave-Drive	33	109-3851	1	Fuel Tank ASM
15	117-5225	1	Engine-Kawasaki, Fj180V-Am54-M	33:1	1-543277	1	Elbow-Tank, Fuel
17	104-7201	1	Nut-HF	33:3	104-7789	1	Bushing
19	104-8301	5	Nut-Flange, NI	35	3218-3	1	Nut-Jam
20	110-0520	1	Decal	99	103-1964	1	Hose-Drain, Oil



Blade Drive Assembly

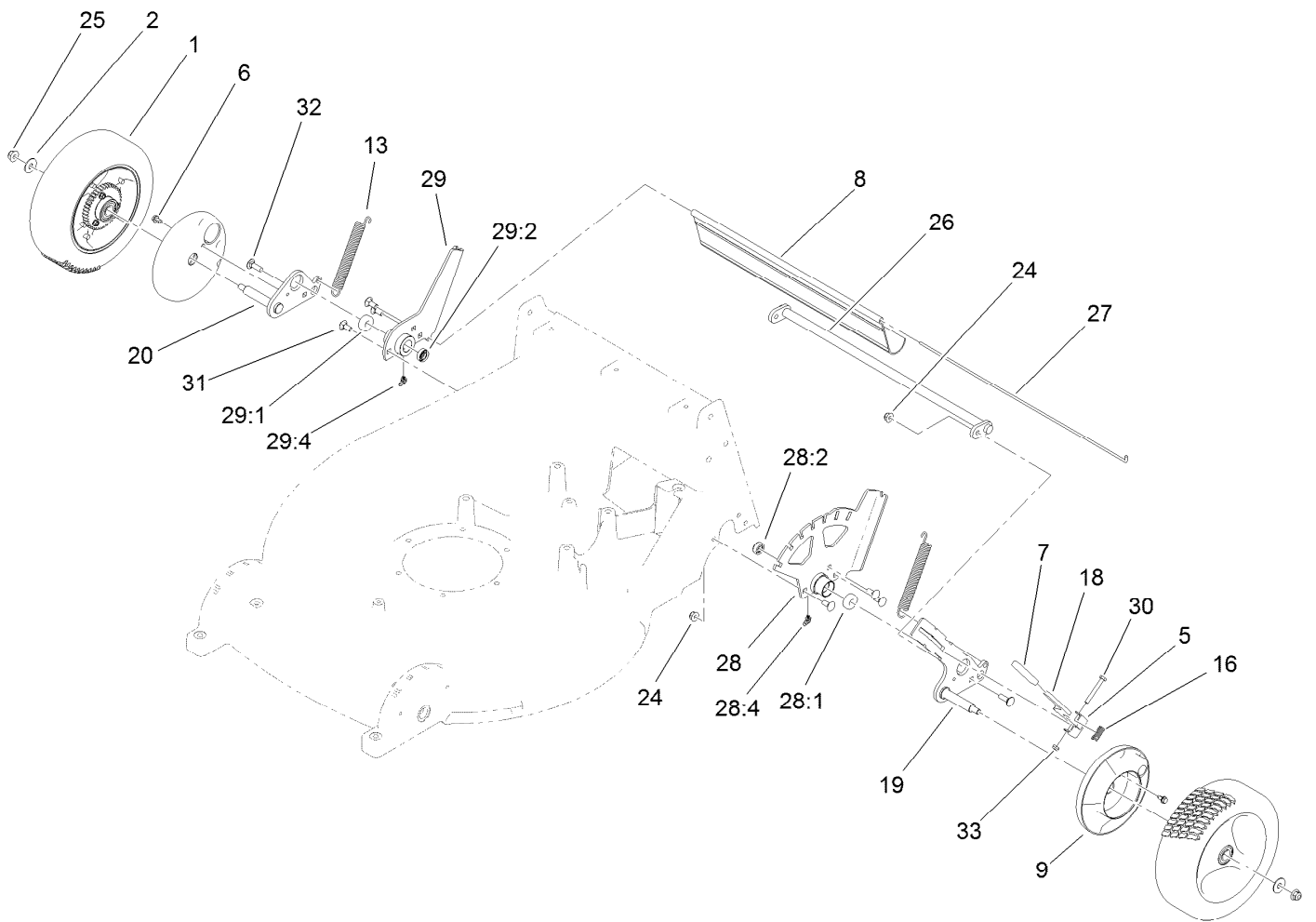
Ref.	Part Number	Qty.	Description	Ref.	Part Number	Qty.	Description
2	1-513208	1	Washer-Spring	24:4	109-3546	1	Pulley-Idler
3	1-807268	1	Key-Rectangle	24:5	103-6111	2	Bearing
4	78-7170	6	Ring-Retaining	24:6	1-633080	1	Bushing-Lever, Lift
6	103-1026	1	Screw-Cap	24:7	3218-3	1	Nut-Jam
7	103-1330	1	Guard-Bearing, Top	24:8	3256-24	1	Washer-Flat
8	103-2535	1	Spacer-Guard, Bottom	24:9	3296-59	1	Nut-Lock, NI
9	103-2802	1	Washer	24:10	323-8	3	Screw-HH
12	116-0823	1	Belt	24:11	3290-357	3	Nut-HHF, Whiz
13	103-7108	1	Bushing-Arm, Idler	24:12	1-403180	1	Screw-HH
14	103-7896	1	Spring-Brake	24:13	3218-2	1	Nut-Jam
15	116-0821	1	Sheave-Split, Steel (W/Hub)	24:14	32128-20	2	Nut-HF
17	116-0092-03	1	Plate-Adapter, Housing	27	3217-46	1	Nut-HH
18	107-4065	1	Cutter Housing ASM	28	3230-4	6	Screw-CARR
19	104-8300	7	Nut-Flange, NI	29	116-0629	1	Screw-CARR
20	104-8301	6	Nut-Flange, NI	30	3231-28	6	Screw-CARR
22	109-0343	1	Blade	31	3231-22	1	Screw-CARR
23	109-2650	1	Shaft-Spindle	33	3256-3	1	Washer-Flat
24	116-0096	1	Idler Arm ASM	34	3296-59	3	Nut-Lock, NI
24:1	116-0085-03	1	Arm-Idler	35	111044	6	Spacer
24:2	116-0959	1	Pad-Brake	36	67-7561	1	Cup-Scalp, Anti
24:3	103-0138	2	Rivet-Pop	37	3290-357	3	Nut-HHF, Whiz



Cutter Housing Assembly No. 107-4065

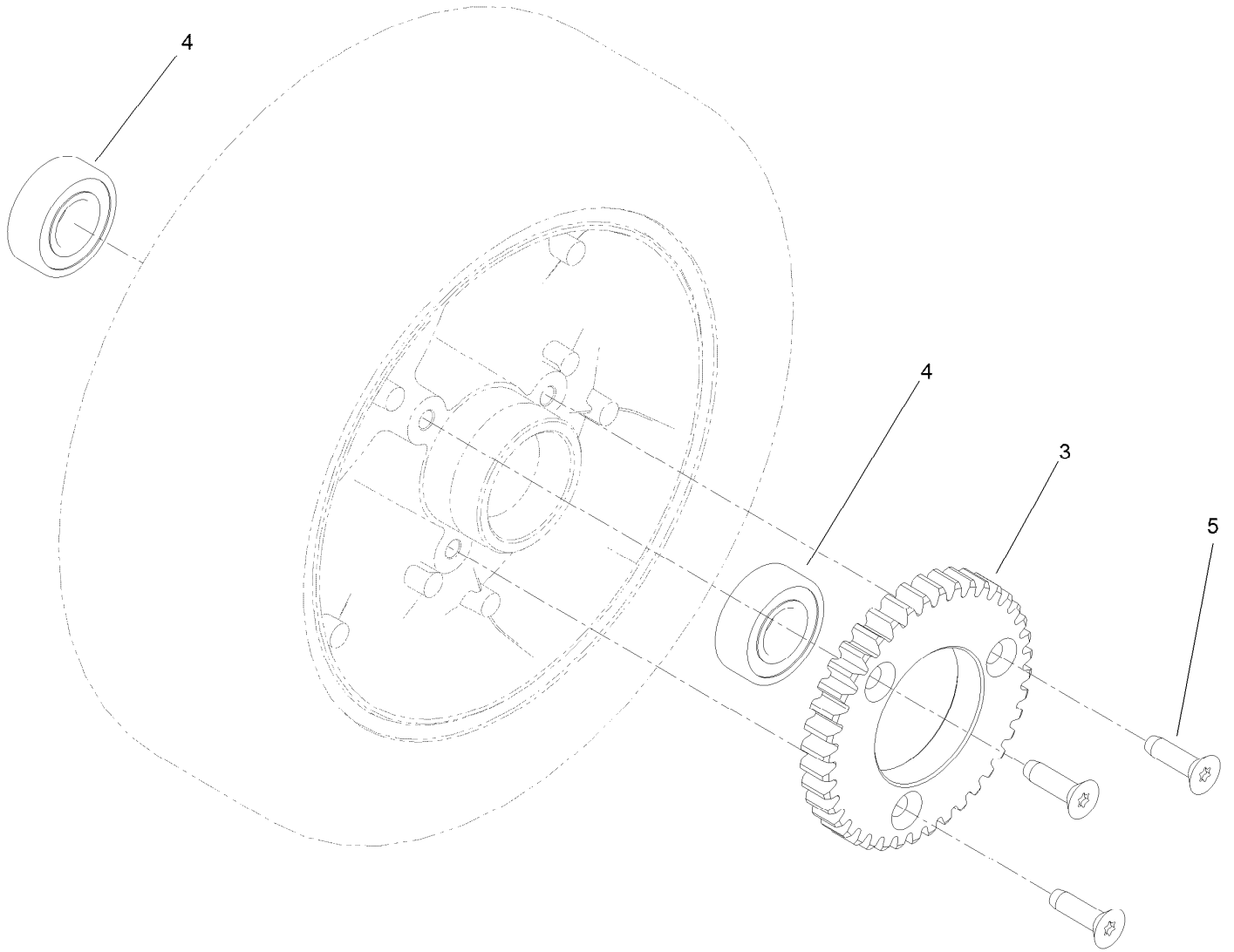
<i>Ref.</i>	<i>Part Number</i>	<i>Qty.</i>	<i>Description</i>
1		1	Cutter Housing ASM ●
1:1	103-7975	1	Housing-Spindle
1:2	103-2477	2	Bearing-Jackshaft
1:3	103-2534	1	Spacer-Bearing
1:4	32120-8	1	Ring-Snap
2	103-1330	1	Guard-Bearing, Top
3	103-2535	1	Spacer-Guard, Bottom

● Not serviced separately



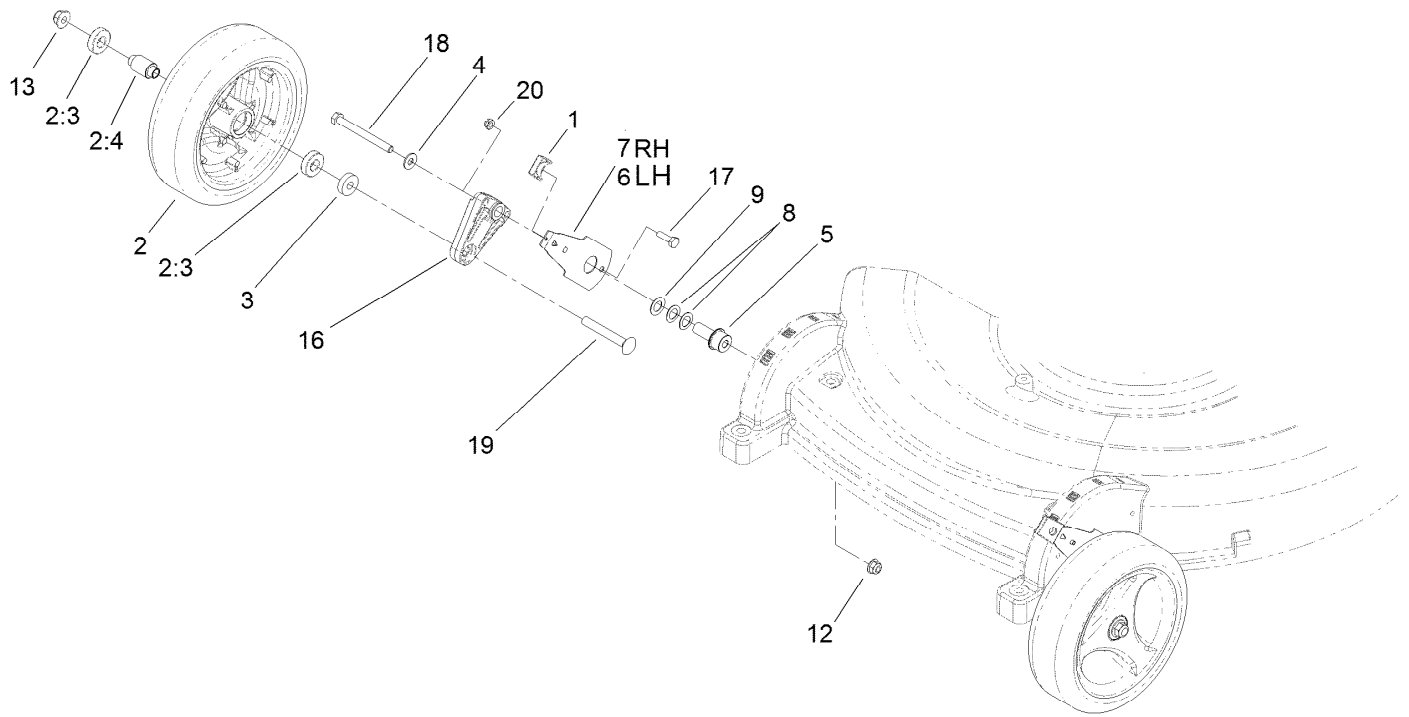
Rear Wheel Assembly

<i>Ref.</i>	<i>Part Number</i>	<i>Qty.</i>	<i>Description</i>	<i>Ref.</i>	<i>Part Number</i>	<i>Qty.</i>	<i>Description</i>
1	112-8707	2	10 Inch Wheel ASM	26	109-2456-03	1	Rod-Torque
2	52-2860	2	Washer	27	109-2458	1	Rod-Shield
5	103-6158	1	Bracket-Pivot, Lift	28	109-2833	1	LH Bearing Support ASM
6	12-3270	2	Screw	28:1	103-6110	1	Bearing-Axle, Rear
7	103-6165	1	Cover-Handle	28:2	103-7654	1	Seal-Axle
8	109-5974	1	Shield-Rear	28:4	103-8864	1	Fitting-Grease
9	103-6441	2	Cover-Gear	29	109-2834	1	RH Bearing Support ASM
13	103-7659	2	Spring-Assist, Lift	29:1	103-6110	1	Bearing-Axle, Rear
16	103-7897	1	Spring-Latch	29:2	103-7654	1	Seal-Axle
18	103-8226	1	Lever-Lift	29:4	103-8864	1	Fitting-Grease
19	103-8227	1	Arm-Axle, LH	30	321-10	1	Screw-HH
20	103-8229	1	Arm-Axle, RH	31	3230-1	6	Bolt-CARR
24	104-8300	8	Nut-Flange, NI	32	3230-2	2	Bolt-CARR
25	104-8301	2	Nut-Flange, NI	33	3296-56	1	Nut-Lock, NI



Wheel Assembly No. 112-8707

<i>Ref.</i>	<i>Part Number</i>	<i>Qty.</i>	<i>Description</i>
3	103-6445	1	Gear-Driven
4	103-6103	2	Bearing-Ball
5	116-0606	3	Screw-Torx



Front Wheel Assembly

<i>Ref.</i>	<i>Part Number</i>	<i>Qty.</i>	<i>Description</i>	<i>Ref.</i>	<i>Part Number</i>	<i>Qty.</i>	<i>Description</i>
1	25-7740	2	Knob-Arm	8	116-4280	4	Washer-Conical
2	112-8706	2	8 Inch Wheel ASM	9	36-4780	2	Washer-Plain
2:3	52-2450	2	Bearing-Wheel	12	104-8300	2	Nut-Flange, NI
2:4	103-7649	1	Spacer-Wheel, Front	13	104-8301	2	Nut-Flange, NI
3	62-6660	2	Spacer	16	116-4305	2	ASM-Front Wheel Arm
4	98-3499	2	Washer-Flat	17	321-5	2	Screw-HH
5	109-6041	2	Bushing-Pivot, Wheel	18	322-20	2	Screw-HH
6	103-5847	1	LH Front Spring Arm ASM	19	3231-9	2	Screw-CARR
7	103-5848	1	RH Front Spring Arm ASM	20	3296-56	2	Nut-Lock, NI

Attachments and Accessories

For 22203TE 66cm Heavy-Duty Rear Bagger Lawn Mower

Product Name	Model/Part
Mulch Kit.....	22201
Side-Discharge Kit.....	22202

Notes:

Notes:

Notes:



Count on it.